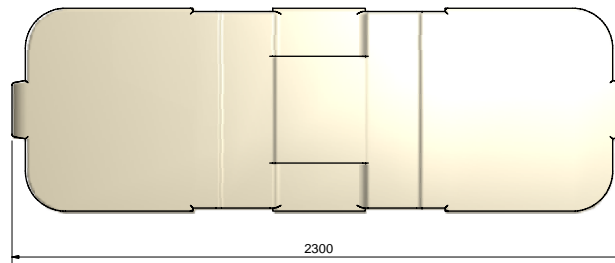
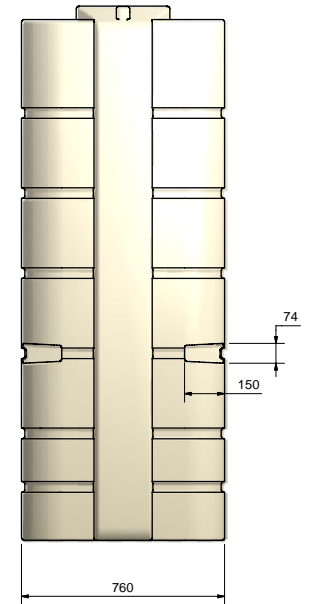
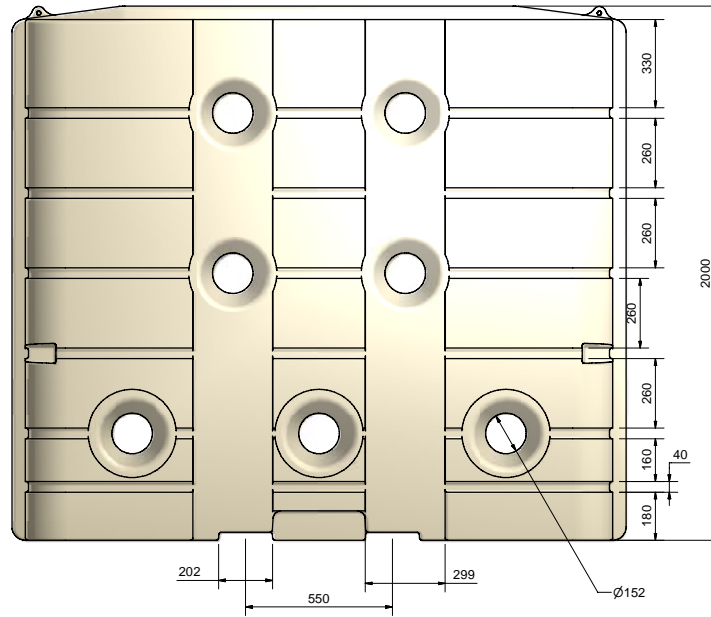
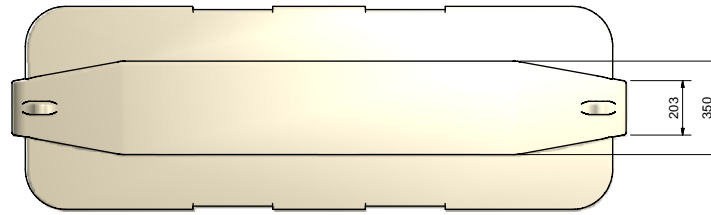


MAX VOLUME = 3065L



Creation Date	Design by	Checked by	Approved Date	Scale	Sheet Size	Projection	Sheet
11/21/2006	leckie			1:10	A1	1st	1 / 1
Changed	Changed	Features					
A	P						
B	S						
C	H						
D	I						
E	U						
				COPYRIGHT 2006 BY BRAD LECKIE		Version	Part Number
						002	002